

Project Name: _____	
Location: _____	
Item #: _____	Qty: _____

Model: ECO1000A (water softener version)

ECO1000A



Standard Features

- Front & side loading hoodtype dishwasher
- Mechanical Control
- Clearance 420 mm
- Basket size 500 x 500 mm
- Built-in Water softener version

- 2 washing cycles (1- 3 min)
- Rack/h 60 - 18
- Temperature wash 85°C / rinse 60°C
- 1.0 hp wash pump
- Low water consumption 2.8 liters

- Simple to use
- Wide & clear buttons
- Digital display

- Single insulated hood & panels
- Separate double washing & rinse
- Interior / exterior INOX 304
- Reinforced door handle
- Robust structure
- Easy access to service

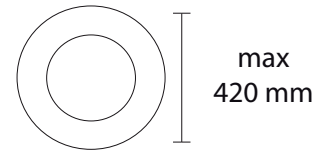
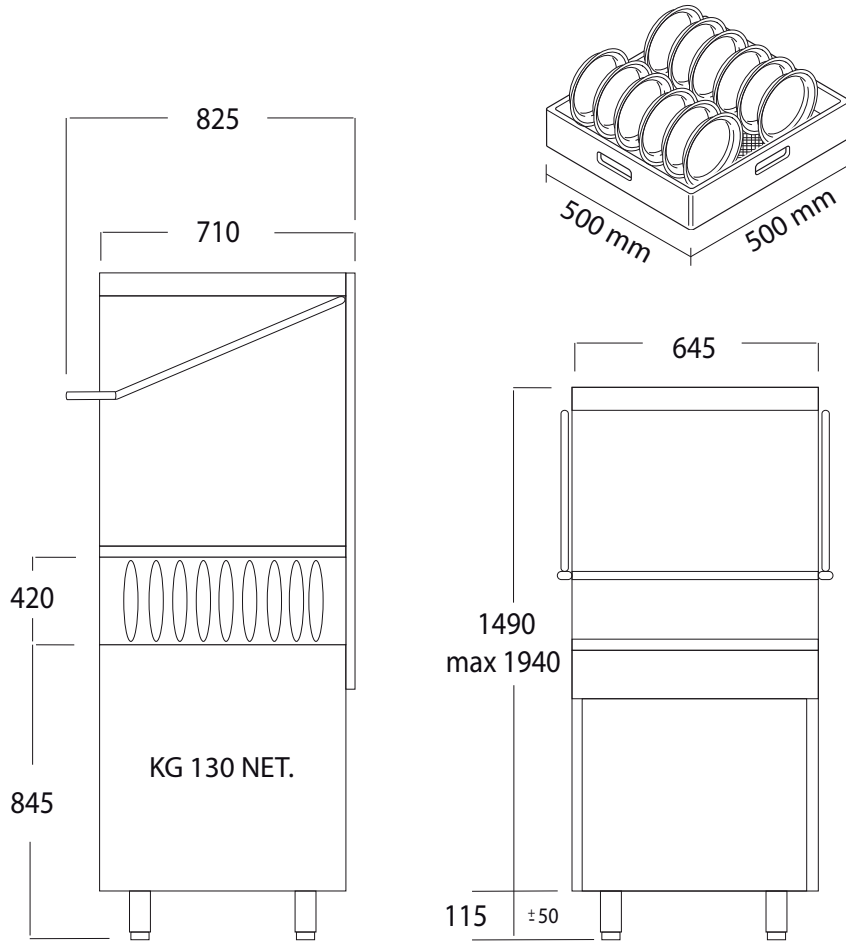


Optionals and Accessories

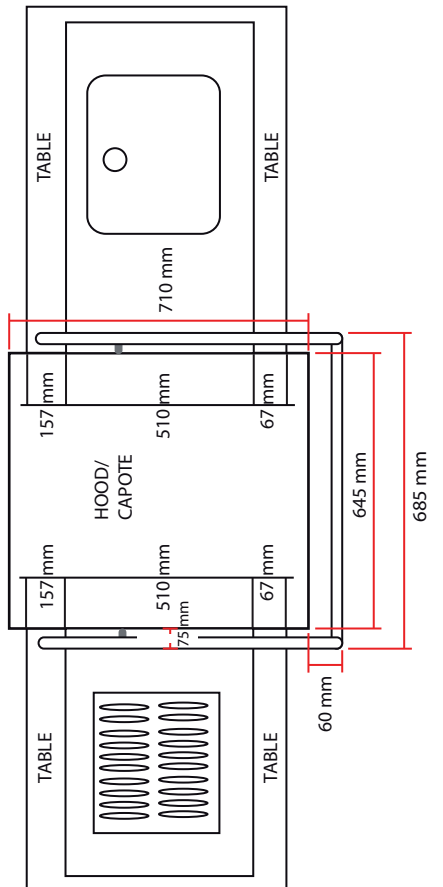
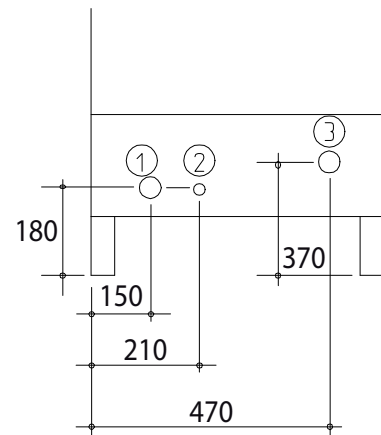
- Inox stainless steel wash arms
- Inox superior double filter
- Detergent peristaltic pump
- Rinse aid peristaltic pump
- Rinse pressure pump
- Automatic self cleaning drain pump

CE	WRAS APPROVED PRODUCT	Approvals: _____	Available at: _____
-----------	------------------------------------	------------------	---------------------

ADLER ECO1000A (water softener version) INSTALLATION DIAGRAM



- ① ELECTRICAL CONNECTION
- ② WATER CONNECTION
- ③ WATER DRAIN



TECHNICAL SPECIFICATION

*measures expressed in mm

Model/Modello	ECO1000
Interface Type/Interfaccia	Mechanical
Clearance/Passaggio Utile	420 mm
Cycle/Ciclo	1 - 3 min
Rinse Aid Dispenser/Dosatore Brillantante	✓
Detergent Dispenser/Dosatore Detergente	•
Drain Pump/Pompa Scarico	•
Thermostop System/Sistema Thermostop	n/a
Temperature Display/Display Temperatura	n/a
Smart Self Diagnostics/Diagnostica Smart	n/a
Built-in Water softener/Addolcitore Incorp.	✓
Tank Capacity/Capacità Vasca	20 lt.
Boiler Capacity/Capacità Boiler	10 lt.
Tank Heater/Resistenza Vasca	4 kW
Boiler Heater/Resistenza Boiler	9 - 4 kW
Power Supply/Alimentazione Elettrica	400V/3N - 230V/1N
Washing Pump/Pompa Lavaggio	0,75 kW/1hp
Max. Power Rating/Assorbimento Max.	14.2 Amp/9,8 kW 400V/3N 21 Amp/4,8 kW 230V/1N
Inlet Pressure/Pressione di Alimentazione	2 ÷ 4 bar
Weight/Peso	130 Kg
Water Consumption/Consumo Acqua	2,8 lt./cycle **
Standard Equipment/Dotazione Standard	2 Racks (Univ+Plate) 1 Cutlery Cont.
Hour Production/Produzione Oraria	60 - 18 racks/h * 1080 - 324 plates/h *

* 55°C inlet water temp. ✓ included/incluso n/a not available
** 2 bars inlet water pressure. • optional